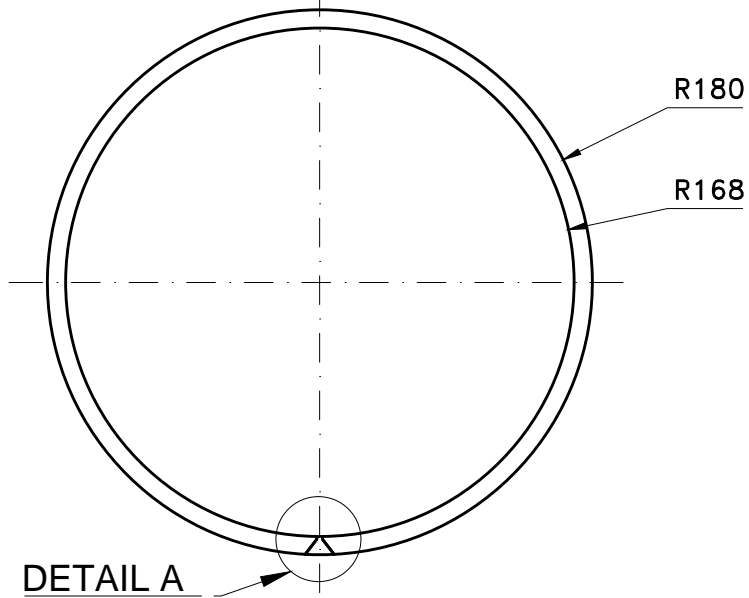
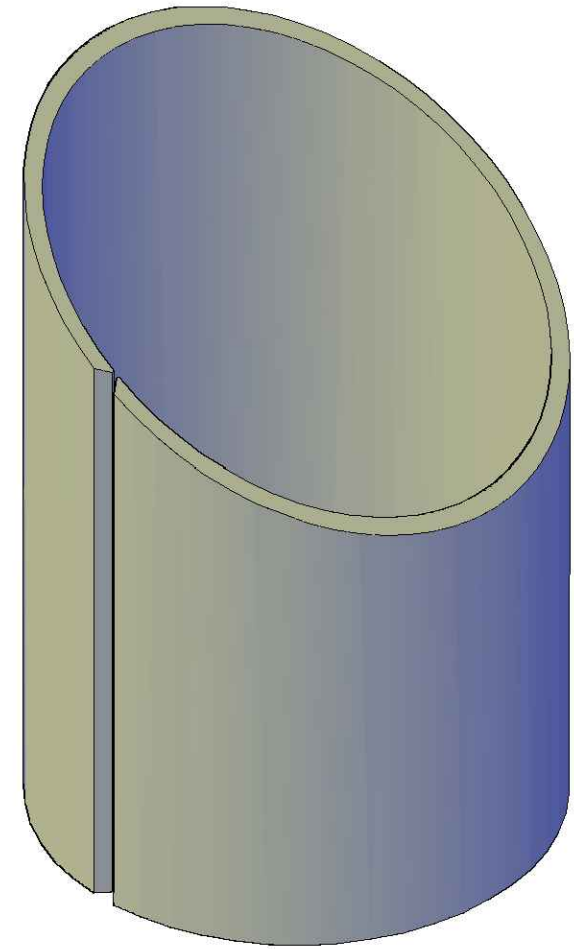
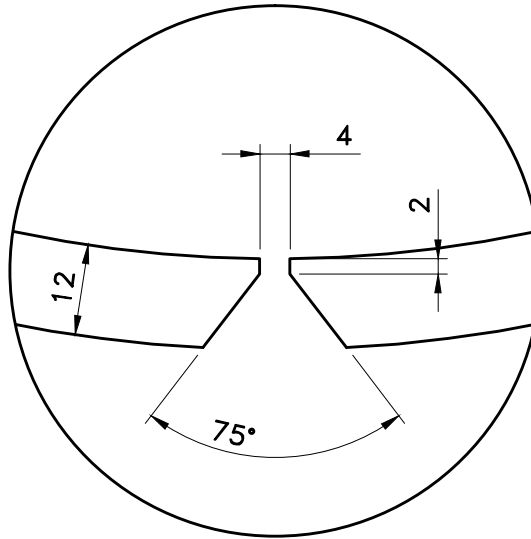


DETAIL A
SCALE 1:1



1	2000x525x12 Plate	A-105
N° PART	DESCRIPTION	MATERIAL
Date: 03/01/2011	COLLAR	
Drawn by: Elena		
Revision:		
N° DRAWING		SCALE
3		1/5