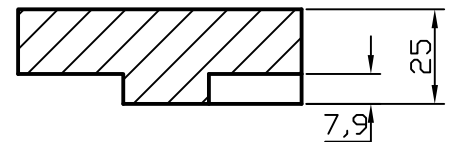
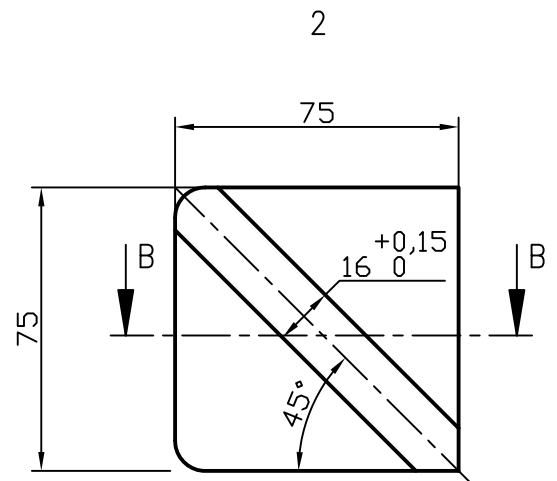
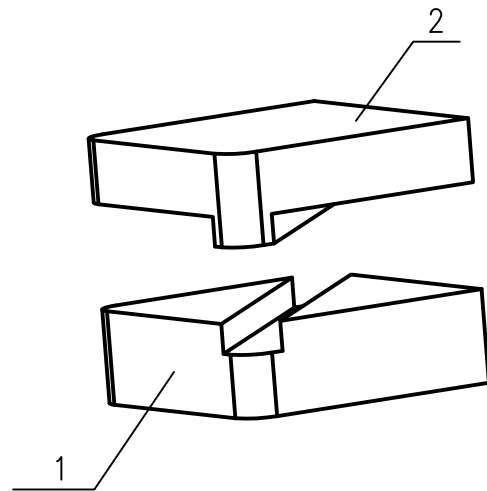


A-A



B-B



1	Part 2		CK 45	2	75x75x25		
1	Part 1		CK 45	1	75x75x25		
QT.	DESIGNATION	RULE/DRAW	MATERIAL	POS.	PRODUCT/DIMENSIONS	WEIGHT	OBS.
TOLERANCES		DATE	NAME				
ISO.2768-MK		DRAW.					
MATERIAL		SEEN					
		APROV.					
		SCALE					
		1/2					