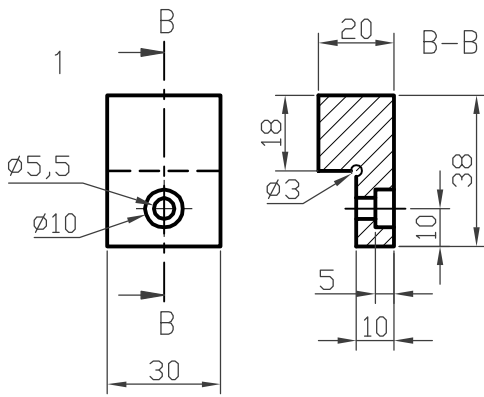
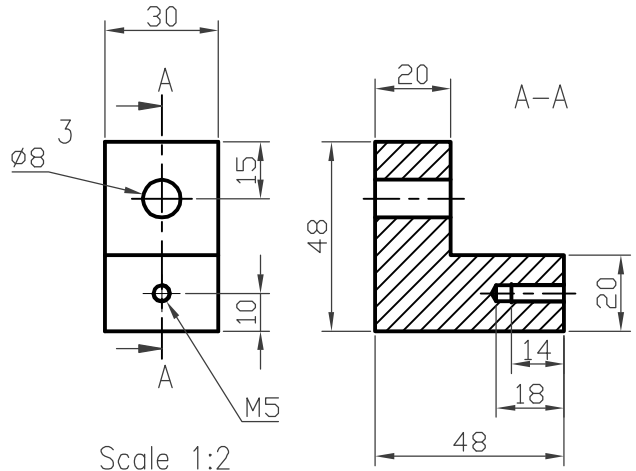


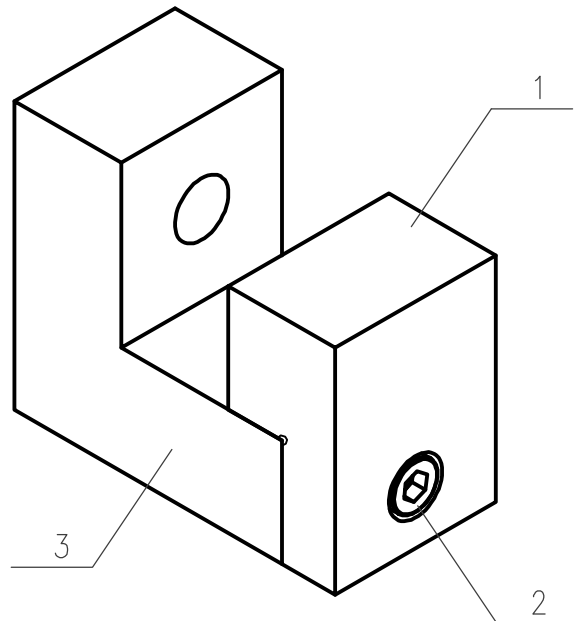
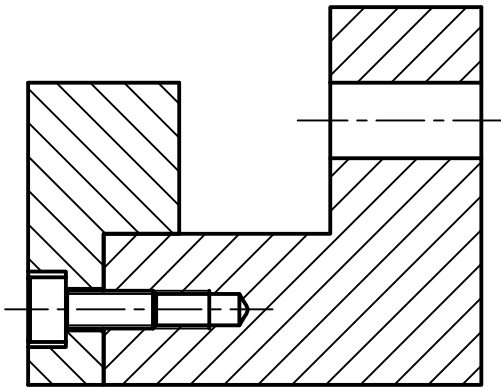
3,2



Scale 1:2



Scale 1:2



1	Part 2		CK 45	3	30x50x50		
1	CHC Screw	ISO 4762		2	M5x12		
1	Part 1		CK 45	1	30x20x40		
QT.	DESIGNATION	RULE/DRAW	MATERIAL	POS.	PRODUCT/DIMENSIONS	WEIGHT	OBS.
TOLERANCES		DATE	NAME				
ISO.2768-MK		DRAW.					
MATERIAL		SEEN					
		APROV.					
		SCALE					
		1/1					